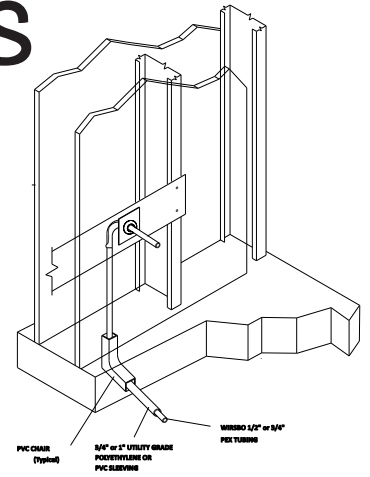


# J Bracket & Stand-up's

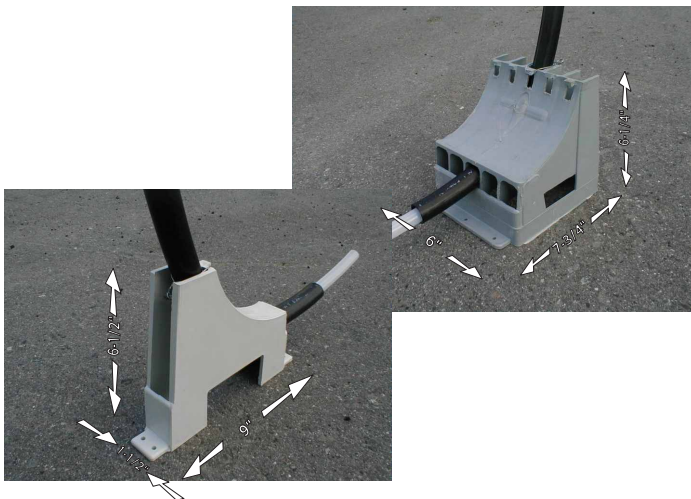
- \* PVC Concrete Floor Tubing Support
- \* Maintains Tubing 1" Concrete Coverage
- \* Tested for use in 2 Hour Fire Rated Assemblies
- \* Uses Recycled Material



## J Bracket

- \* Mounts both
  - 1/2" PEX Tubing in 3/4" PE Sleeving
  - 3/4" PEX Tubing in 1" PE Sleeving
- \* Each J Bracket is 2"W X 6 3/4"D X 5 1/2"H
- \* Box Quantities of 50 at 29 Lbs
- \* Skid Quantity 1600 brackets (32 boxes of 50) 950lbs
- \* J-Bracket (P1) - Single Loop

## Stand-up's



- \* Mounts both
  - 1/2" PEX Tubing in 3/4" PE Sleeving
  - 1/2" or 3/4" PEX with No Sleeving
- \* Stand-up Single Loop is 1-1/2"W X 9"D X 6-1/2"H
- \* Box Quantities of 60 at 37lbs
- \* Skid Quantity 1920 brackets (32 boxes of 60) 1200lbs
- \* Stand-up Bracket (P2) - Single Loop
- \* Stand-up Five Loop
  - spaced for 1-1/4" Manifold Connections
  - sized at 6"W X 7-3/4"D X 6-1/4"H
- \* Box Quantities of 16 at 29lbs
- \* Skid Quantity 512 brackets (32 boxes of 16) 950lbs
- \* Stand-up Bracket (P5) - Five Loop



**JSA Sales Inc.**

75A Clipper Street, Coquitlam B.C., V3K 6X2

[www.jsasales.com](http://www.jsasales.com)

Phone (604) 525-4774

Fax (604) 525-4355

September 2016